

# COMPACT

THE NAME TELLS A STORY



Compact is designed to have the smallest footprint possible but have a big impact on your interior design.

onmar 

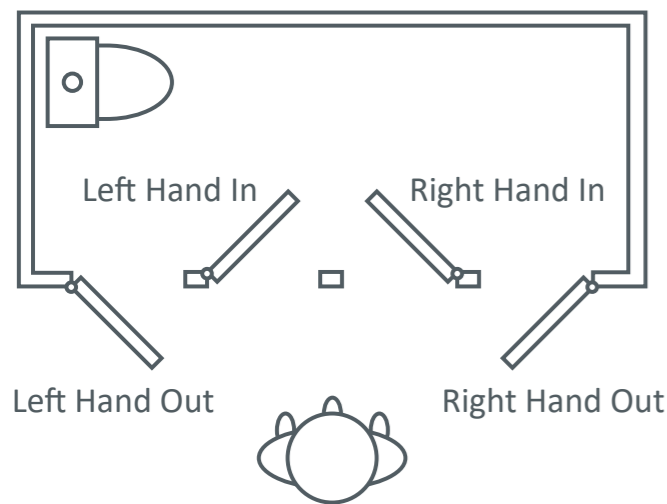


TIMELESS DESIGN  
FOR USE ON BOATS UP TO **40 FEET**

# COMPACT

DESIGN FOR SWING DOORS

Compact is created as a modular lock/  
latch to be used in many applications.



**1** PART NUMBER  
ANY DOOR SWING



## MORTISE

MINIMIZE CUTOUT



## CLAMSHELL

EASY TO INSTALL



## SHOWER DOOR

MULTIPLE DOOR CONFIGURATIONS

# MORTISE



This “compact” lock case holds an innovative design that in the end solves all your door swings with **one part number**.

## MINIMIZE CUTOUT

When mortise mounted, the lock case is packed firmly to minimize and simplify the cutout in the door. The small cutout saves operation time and door strength.



It also makes it possible to package it into different modifications that create a modular lock/latch to be used in many applications.

## ONE PART NUMBER

Our lock case is designed so you can both lift and press the handle down.

Combine this with 4 different options to fit the privacy knob, and this creates a solution where you only need to buy and stock one part number to cover all four different door swings.



*Innovative design holds escutcheon without any visible screws.*



*Slim designed handle bending in towards the door leaf to prevent sagging.*

### Finish

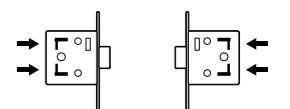


Chrome

### Any door swing



### Privacy options



### Modifications available

Need a different design? Contact us with your request.

# CLAMSHELL



This **pre-assembled** lock case is designed with the boat builder in mind. Minimum hassle, great result.

## EASY TO INSTALL

This version of Compact arrives to you pre-assembled.

Compact Clamshell will save time on your assembly line.

An easy cutout through the door and you slide the pre-assembled lock into place in seconds.

**2 screws in forend, 1 in escutcheon, and you are done!**



2 screws in forend



1 screw in escutcheon

### Finish

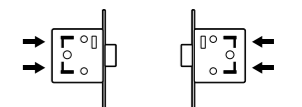


Chrome

### Any door swing



### Privacy options



### Modifications available

Need a different design? Contact us with your request.

# SHOWER DOOR



Built on a marine lock for a marine environment.  
What could be better suited for a shower?

## FITS DIFFERENT DOOR FRAMES AND TYPES

As the innovative design can operate all door swings we have included the striker/keeper to meet the design and different door/frame types.

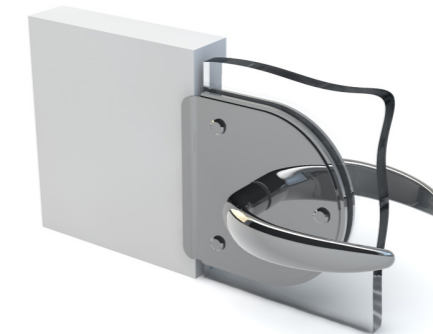


## MULTIPLE DOOR CONFIGURATIONS

An easy cutout and, depending on door thickness, with or without accents.  
As standard it is available in three different door thicknesses: 8, 10 and 12 mm.



*Glass/Glass*



*Glass with lip/Frame*



*Glass w/o lip/Frame*

### Finish



Chrome

### Any door swing

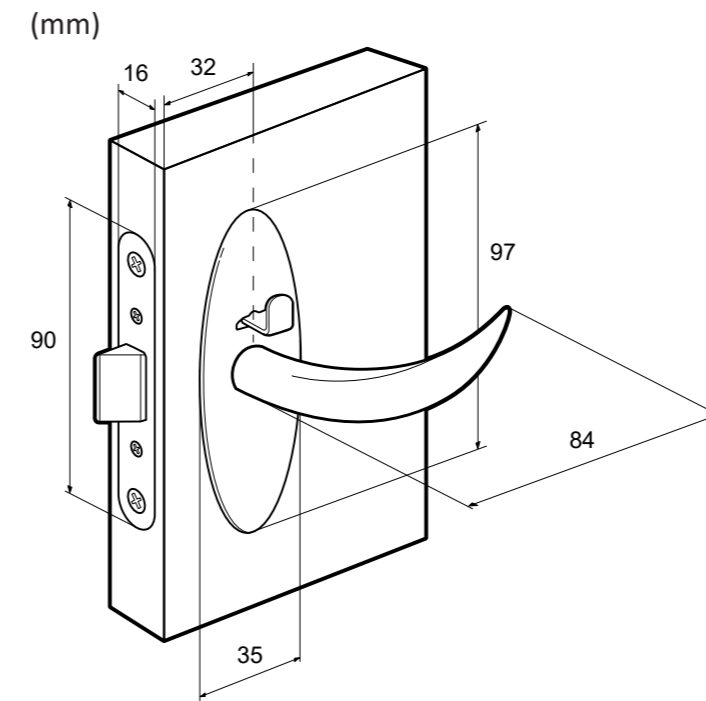


### Modifications available

Need a different design? Contact us with your request.

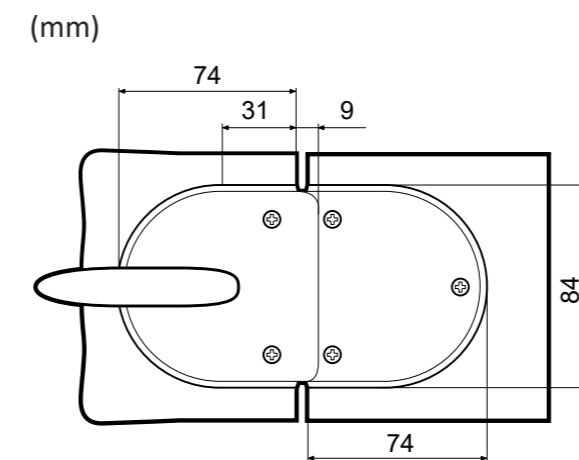


# MEASUREMENTS



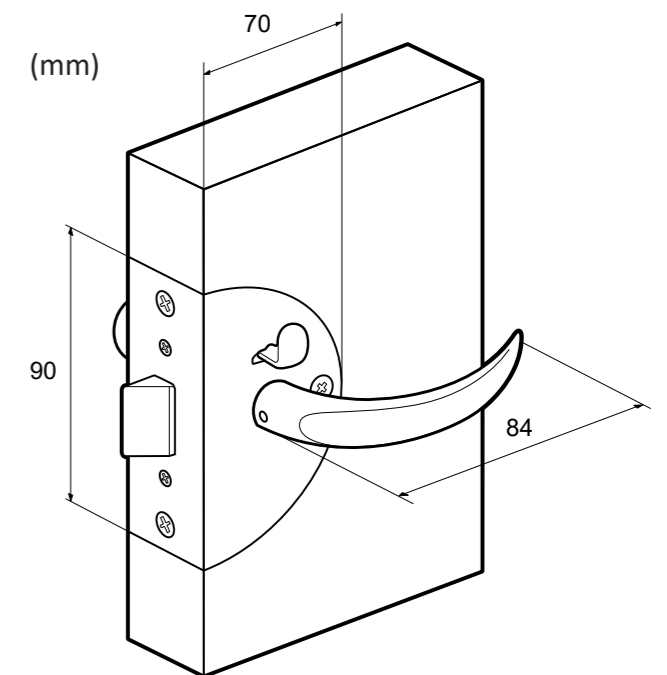
## CLAMSHELL

| Part number  | Door thickness | Privacy |
|--------------|----------------|---------|
| MC-04-101-10 | 12,7 mm        |         |
| MC-04-122-10 | 18 mm          | X       |
| MC-04-123-10 | 28 mm          | X       |

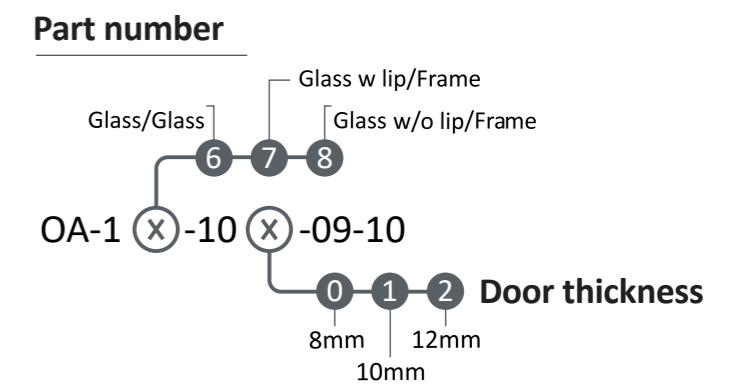


## MORTISE

| Part number  | Door thickness |
|--------------|----------------|
| MC-01-120-10 | 19-32 mm       |



## SHOWER DOOR



For technical and availability information,  
please contact Onmar.

+46 (0) 16 42 86 80  
info@onmar.se  
www.onmar.se